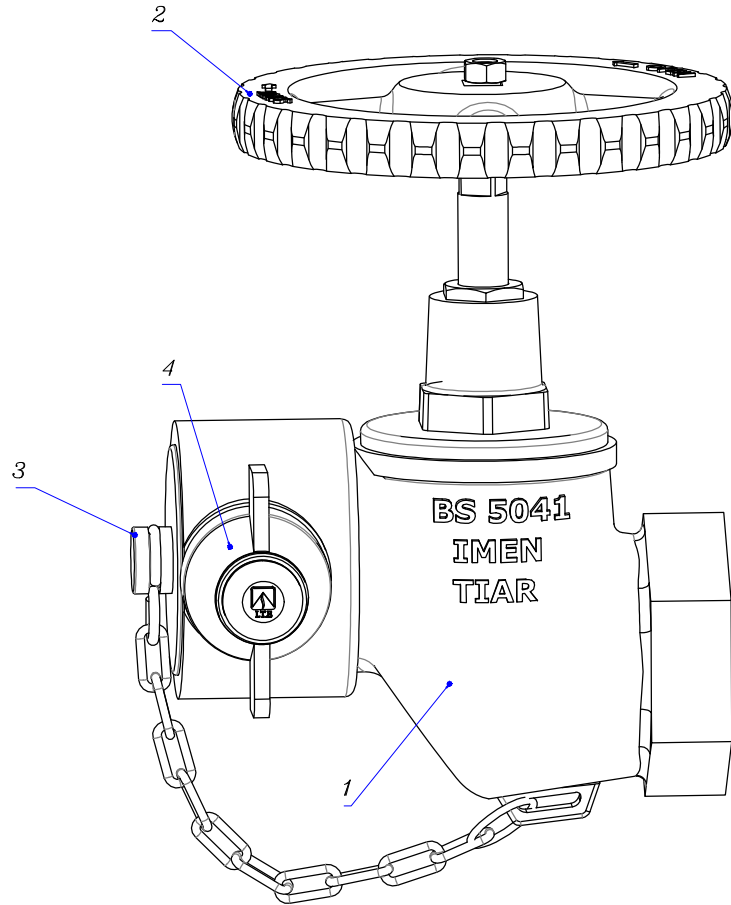


GLOB VALVE MODEL TR-SG8



NO.	PART NAME	MATERIAL
1	BODY	GUNMETAL
2	HANDWHEEL	CAST IRON
3	CAP	PLASTIC
4	RELEASE PLANGER	BRASS

NOTE: BIB NOISE VALVE MODEL TR-SG8



I.T.E



TOL: DIN-7168m

Size: A4

Scale: 1:3

Sheet: 1 Of 1

QTY. :1

Date	Design	Drawn	Checked	REV.
Part Name: TOTAL		Drawing No: SG4-001		
Material: AS ABOVE CHART		PROJECT:		